

## THERMOSTATIC TOUCH PANEL CONTROLLED RECESSED CEILING MOUNT LED WATERFALL RAINFALL SHOWER SYSTEM WITH HAND SHOWER AND SOUND SYSTEM SPECIFICATIONS



### Shower Head

Shower Head 3 Functions: Waterfall, Rainfall & Mist

Shower head size: 20 x 20 inch

Each function run all together and separately

Music and LED light work by electronic

All Metal Material: Solid Brass; Stainless Steel (top showerhead, hose)

Shower Head Mounting: Flush on ceiling

Hand Spray Hose: 59 inch

Water flow: 2.5 GPM ~ 5.5 GPM

Water pressure: 0.3 MPA ~ 1 MPA

Water pipe lines: 3/4 inch water pipes for the hot and cold water mixer inlet, the others are 1/2 inch

### 304 Stainless Steel

Speaker×2 [500×500mm]

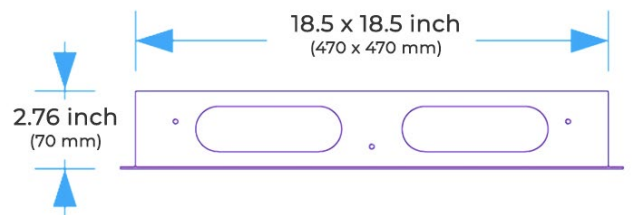
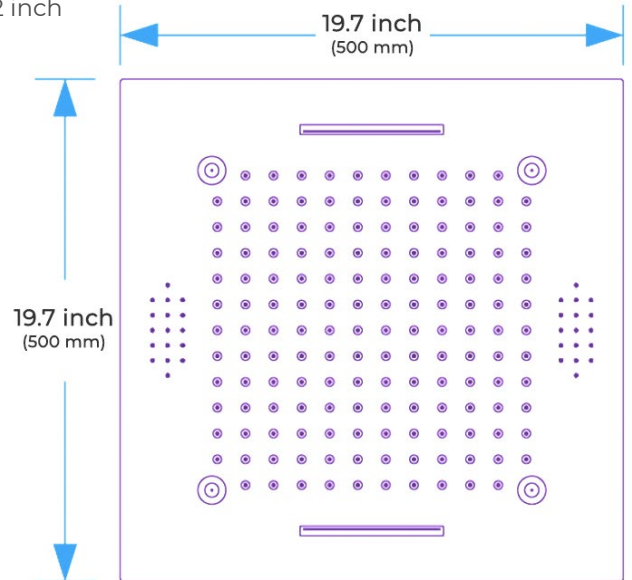
Mist×4

Waterfall×2

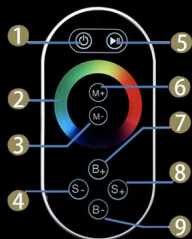
Rainfall



Water Pressure: 0.3-0.5MPA  
Shower Flow Rate: 9-25L/min



- 1: Turn ON/OFF
- 2: Color Touch Ring
- 5: Mode Switch
- 4/8: Dynamic Speed adjusting
- 3/6: Color Temperature adjusting
- 7/9: Dynamic Brightness adjusting

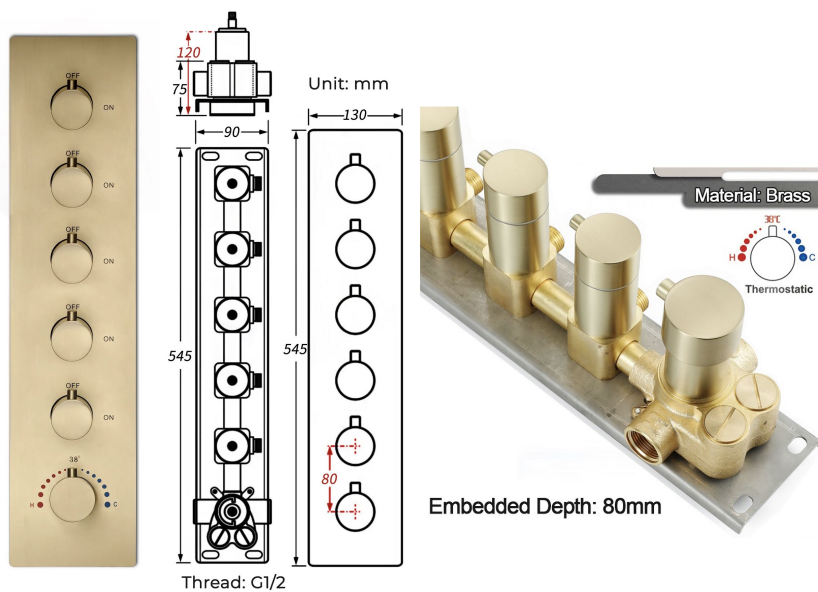


Product shown is only for installation display purpose



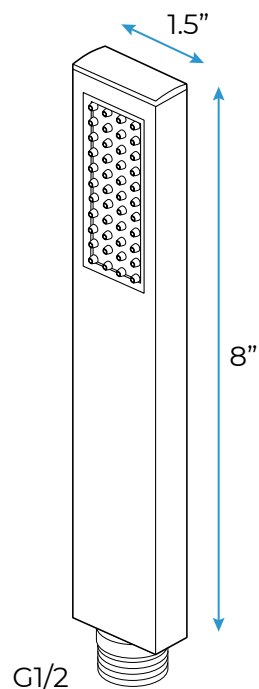
All dimensions and specifications are nominal and may vary. Use actual products for accuracy in critical situations.

## Shower Mixer



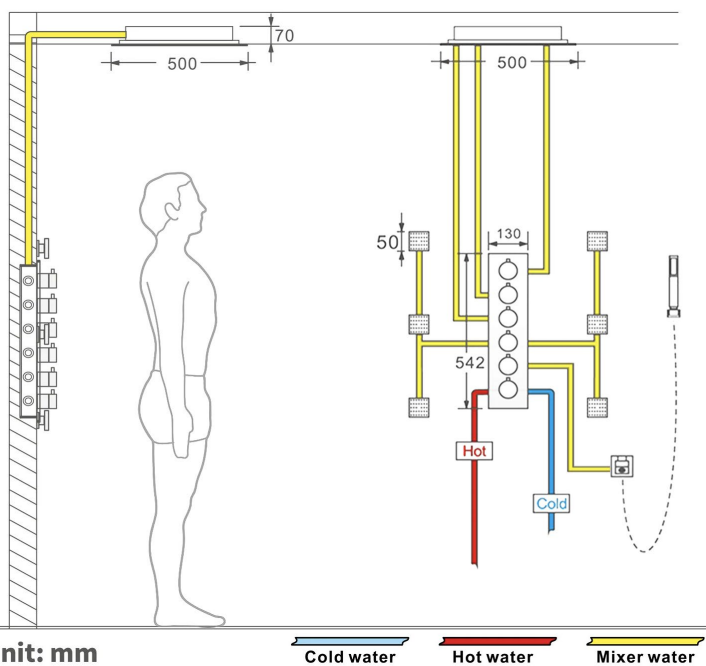
Product shown is only for installation display purpose

## Hand Shower



Flow Rate: 2.0 GPM / 7.6 LPM

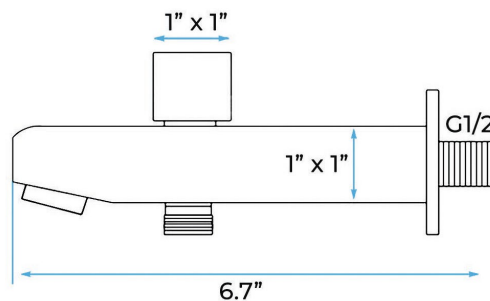
## Shower Mixer Connections



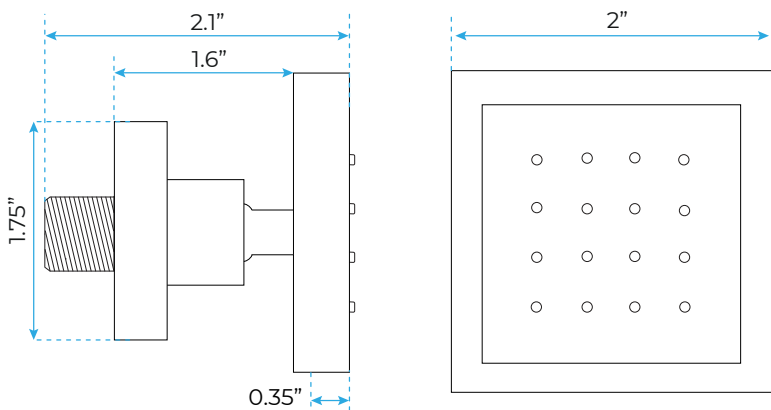
Unit: mm

Cold water Hot water Mixer water

## Spout



## Body Jet



Thread Interface Size: G 1/2 Inch  
 Type: Fixed Rotatable Type  
 Installation Type: Wall Mounted  
 Material: Brass  
 Feature: Can rotate 360 degrees  
 Flow Rate: 1.5 GPM / 5.7 LPM (each Bodyspray)